

GAGGENAU

BO 270 111 / BO 271 111

Built-in Oven

Stainless steel-backed full glass door

Width 60cm

Right-hinged / Left-hinged



Accessories included:

two enameled baking trays, pyrolysis-safe / one rotisserie spit
/ one glass tray / one wire rack / one grill tray with wire rack /
one plug-in core temperature probe

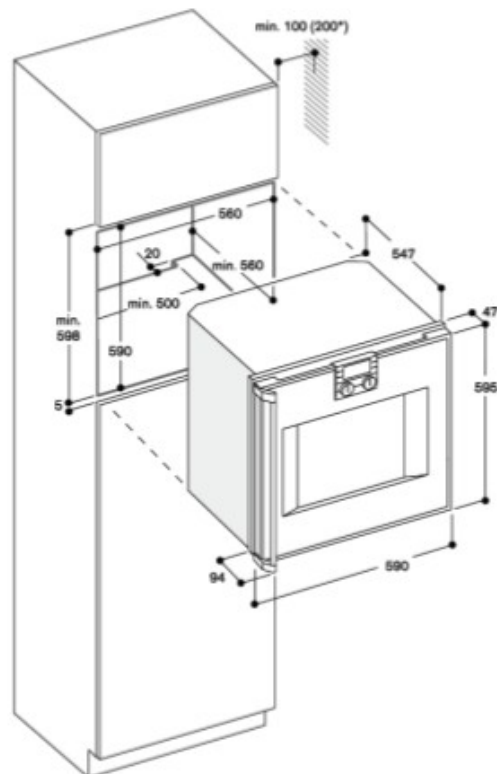
Optional accessories

BA 056 133 (with BA 056 110) Baking stone set

- Universal heating system with 17 heating methods
- Electronic temperature control from 50–300 °C
- Net volume 76 litres
- Energy efficiency class A
- LCD function display with digital clock
- Timer functions: cooking time, switch off time, short-term timer, stop watch, long-term timer
- Rotary knob and touch key operation
- Core temperature probe with automatic shut off
- Thermo-Test actual temperature display
- Settings menu with clear text display
- Save up to 6 memory recipes (incl. core temperature probe)
- Rotisserie spit
- Gaggenau Clean-Enamel
- Enameled wire racks on the side, pyrolysis-safe
- Child lock/Safety lock
- Pyrolytic self-cleaning

Total connected load: 3.7kW

Power supply: 20A connection unit +
cooker switch



* 200mm in conjunction with BA 016 103